

TECHNICAL DATASHEET

Roxia Floating Aerator 1,5 kW (2 hp)

Roxia Floating Aerators are CE marked products from Finland.

Technical data

Oxygen transfer efficiency	Up to 2,2 kgO ₂ /kWh* (4,1 lbO ₂ /hp-hr)
Spray pattern diameter	Appr. 3,5 m (12 ft)
Motor	3-phase customized motor manufactured by Lönne or equal (CE, UL and CSA approved)
Nominal power	1,5 kW (2 hp)
Efficiency class	IE3
Insulation class	H
V/F	50 Hz: 400 V +- 5%, 3,4A, 60 Hz: 460V +- 5%, 3,4A
Electrical cable	4G2,5 European standard cable. Note: Length and local electrical control system may affect. When using AC-drive EMC-cable or shielded cable is required
Main dimensions	1150 mm x 1150 mm x 585 mm (45,3" x 45,3" x 22,6")
Weight of aerator with floats	Appr. 45 kg (99 lb)
Materials	<ul style="list-style-type: none"> × AISI 316 (shaft and other metal parts) × Impeller aluminum × Float PE-plastic × Intake pipe** PE-Plastic

Optional features

- Frequency converter (AC-drive)
 - × Protection class IP20 or IP66
 - × Automatic impeller cleaning cycle feature

Roxia Digital Services & Roxia Malibu™

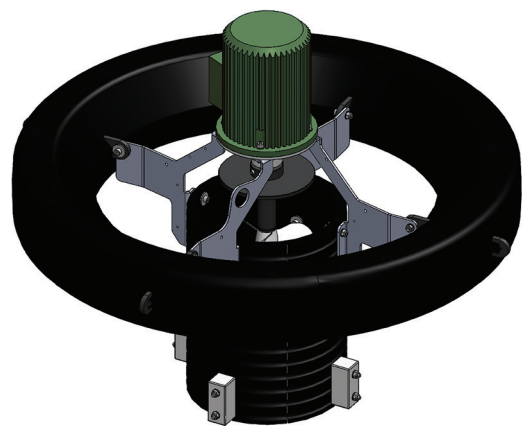
Shallow pond protect (0,3 - 0,6 m / 1 - 2 ft depth)

Intake pipe screen

Lifting hook

Return channel (to deep lakes)

Lights



* Oxygen measurement accuracy ± 15%

** Customer must define the length of the intake pipe (the pipe should be 0,6 - 2,0 m (2 - 6,5 ft) above the bottom of the basin, depends on basins material).

Information without engagement. All rights to changes without prior notice reserved.

