

TECHNICAL DATASHEET

Roxia Floating Aerator 3 kW (4 hp)

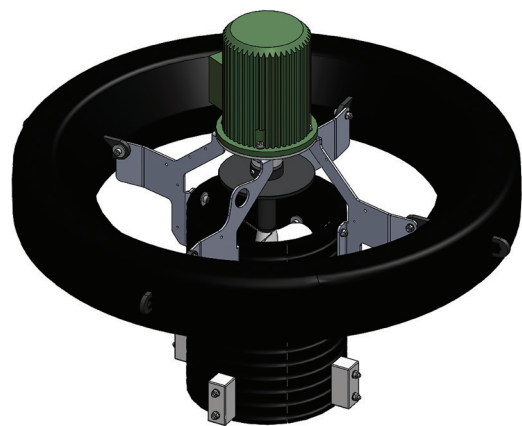
Roxia Floating Aerators are CE marked products from Finland.

Technical data

| | |
|-------------------------------|--|
| Oxygen transfer efficiency | Up to 2,0 kgO ₂ /kWh* (4.0 lbO ₂ /hp-hr) |
| Spray pattern diameter | Appr. 4,5 m (14.8 ft) |
| Motor | 3-phase customized motor manufactured by Lönne or equal (CE, UL and CSA approved) |
| Nominal power | 3 kW (4 hp) |
| Efficiency class | IE3 |
| Insulation class | H |
| V/F | 50 Hz: 400 V +- 5%, 5,9A; 60 Hz: 460V +- 5%, 5,9A |
| Electrical cable | 4G2,5 European standard cable. Note: Length and local electrical control system may affect. When using AC-drive EMC-cable or shielded cable is required |
| Main dimensions | 1200 mm x 1200 mm x 800 mm (47,2" x 47,2" x 31,5") |
| Weight of aerator with floats | Appr. 110 kg (265 lb) |
| Materials | <ul style="list-style-type: none"> × AISI 304 (shaft and other metal parts) × Impeller plastic × Float PE-plastic × Intake pipe** PE-Plastic |

Optional features

| |
|---|
| Frequency converter (AC-drive) |
| × Protection class IP20 or IP66 |
| × Automatic impeller cleaning cycle feature |
| Roxia Digital Services & Roxia Malibu™ |
| Shallow pond protect (0,5 - 1 m / 1,6 - 3,3 ft depth) |
| Intake pipe screen |
| Lifting hook |
| Return channel (to deep lakes) |
| Cooling fan |
| Lights |



* Oxygen measurement accuracy ± 15%

** Customer must define the length of the intake pipe (the pipe should be 1,0 - 2,5 m / 3,3 - 6.6 ft above the bottom of the basin, depends on basins material).

Information without engagement. All rights to changes without prior notice reserved.