

TECHNICAL DATASHEET

Roxia Floating Aerator 30 kW (40 hp)

Roxia Floating Aerators are CE marked products from Finland.

Technical data

Oxygen transfer efficiency	Up to 2,0 kgO ₂ /kWh* (4.0 lbO ₂ /hp-hr)
Spray pattern diameter	Appr. 7,5 m (24.6 ft)
Motor	3-phase customized motor manufactured by Lönne or equal (CE, UL and CSA approved)
Nominal power	30 kW (40 hp)
Efficiency class	IE3
Insulation class	F
V/F	50 Hz: 400 V +- 5%, 58A; 60 Hz: 460V +- 5%, 58A
Electrical cable	4G16 European standard cable. Note: Length and local electrical control system may affect. When using AC-drive EMC-cable or shielded cable is required
Main dimensions	2900 mm x 2900 mm x 1700 mm (114.2" x 114.2" x 66.9")
Weight of aerator with floats	Appr. 720 kg (1587 lb)
Materials	<ul style="list-style-type: none"> × Metals AISI 304 × Impeller alloyed special bronze × Float PE-plastic × Intake pipe** PE-plastic and stainless steel

Optional features

- Frequency converter (AC-drive)
 - × Protection class IP20 or IP66
 - × Automatic impeller cleaning cycle feature

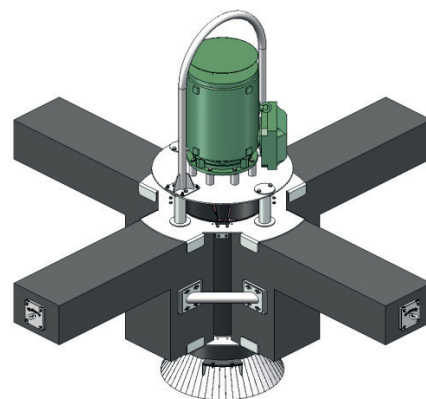
Roxia Digital Solutions & Roxia Malibu™

Metal parts AISI 316

Intake pipe screen

Lifting frame

Shallow pond protect



* Oxygen measurement accuracy ± 15%

** Customer must define the length of the intake pipe (the pipe should be 1,5 - 2,5 m / 4.9 - 8,2 ft above the bottom of the basin, depends on basins material).

Information without engagement. All rights to changes without prior notice reserved.